

# ART. 5449 sim. UNI 5549 DIN 316 AF

Vite ad alette (a galletto) tipo americano

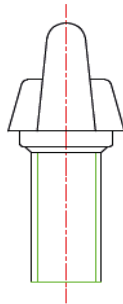
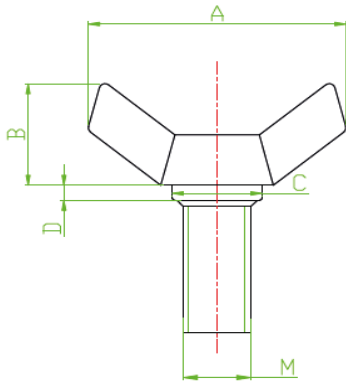
Wing screw American form

Disponibile/Available

A2



A4



D	0,8/1,0	1,17/1,2	1,4/1,5	1,8/2,0	2,2/2,3	2,5/2,8	3,0/3,5
C	5,5/5,7	6,8/7,0	6,8/7,0	9,35/9,7	12,6/13,0	22,10/26,00	18,0/18,6
B	7,10/10,50	8,60/11,93	8,60/11,93	10,92/14,40	13,50/17,00	16,50/20,1	22,10/26,00
A	15,00/18,30	19,81/23,11	19,81/23,11	24,60/28,00	28,40/32,00	33,20/37,20	45,50/49,00
I/M	M3	M4	M5	M6	M8	M10	M12
6							
10							
12							
16							
20							
25							
30							
35							
40							
50							

last edit 09/08/2019

DRAWING N. 1103